

PRODUCT INFORMATION PACKET

Modal No: 5KH39QN9696X
Catalog No: 4731
1/3,1725,DP,48Y,1/60/115
Belt Drive



Regal and Marathon are trademarks of Regal Beloit Corporation or one of its affiliated companies.
©2017 Regal Beloit Corporation, All Rights Reserved. MC017097E

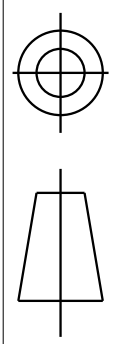


Nameplate Specifications

Output HP	0.33 Hp	Output KW	0.25 kW
Frequency	60 Hz	Voltage	115 V
Current	5.8 A	Speed	1725 rpm
Service Factor	1.35	Phases	1
Efficiency	57.4 %	Duty	CONT
Insulation Class	B	KVA Code	S
Frame	48Y	Enclosure	DP
Overload Protector	AUTO	Ambient Temperature	40 °C
Drive End Bearing Size	6203	Opp Drive End Bearing Size	6203
UL	Recognized	CSA	Yes
CE	N		

Technical Specifications

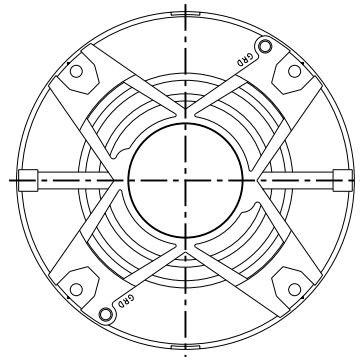
Electrical Type	Split Phase	Starting Method	SM
Poles	4	Rotation	CCW/CW
Mounting	RR	Motor Orientation	ANY
Drive End Bearing	BALL	Opp Drive End Bearing	BALL
Frame Material	Rolled Steel	Overall Length	10.3 in
Frame Length	5.41 in	Shaft Diameter	0.5 in
Shaft Extension	1.5 in	Thru-bolts Extension	0



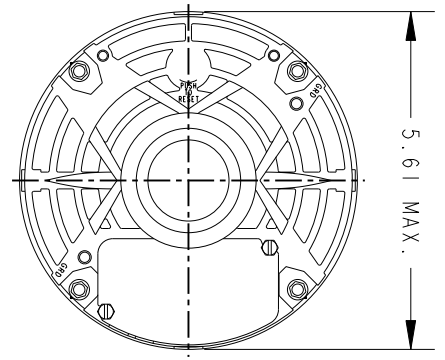
THIRD ANGLE PROJECTION

REVISIONS

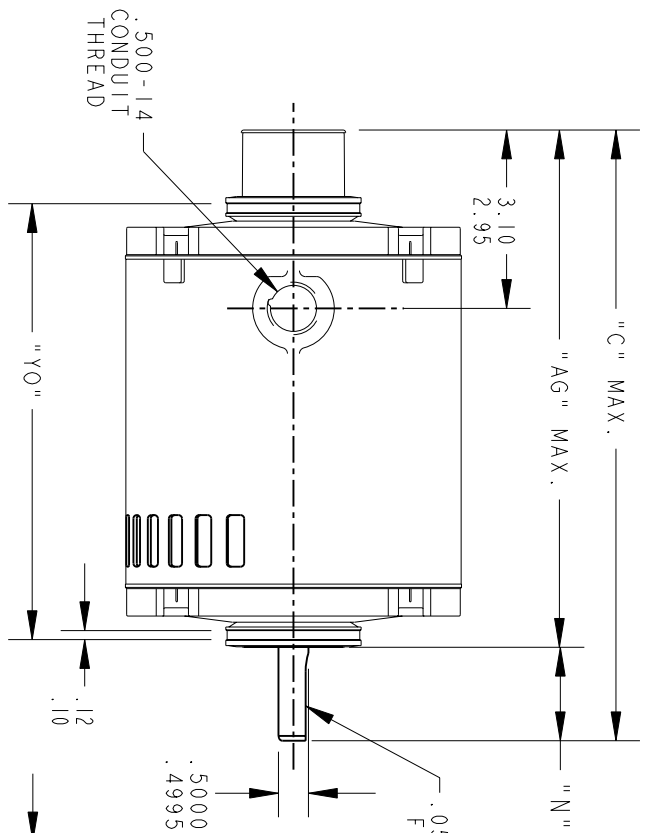
REV.	DESCRIPTION	DATE	APPROVED
1	CHANGED TO BALL/SLV.	02/11/94	M.A.M.
2	REV. SHELL VENTS	11/04/94	M.A.M.
3	CHG TO RBC FORMAT PER IS05-1777	02/16/06	SUDHA



VIEW SHOWING P.E. VENTILATION OPENINGS



5.61 MAX.



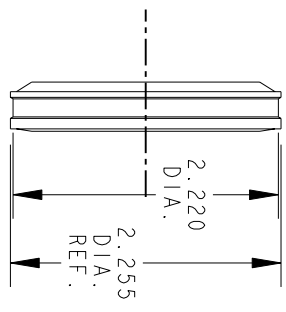
500-14 CONDUIT THREAD

.05 X (K) LG. FULL FLAT

.5000
.4995

.12

.16



P	TYPE	GE SIZE	NEMA FR	"C"	"AG"	"YO"	"N"	"K"
3	KH	35	48Y	10.66	9.04	8.79 7.50	1.58 1.50	1.16
2	KH	33	48Y	10.28	8.66	8.41 7.12	1.58 1.50	1.16
1	KH	32	48Y	10.03	8.41	8.16 6.87	1.58 1.50	1.16

SIGNATURES DATE

MODEL MAM 01/24/90

DETAIL

CHECKED

ENGRG

MFG

QUALITY

ISSUED MAM 01/24/90

SOLID MODEL: 52A106996



REGAL-BELOMT CORPORATION

TITLE OUTLINE

PDQ MOTOR - DRIP PROOF - RESIL. BASE - BALL/SLV. BRG. (5KH39QN9696X)

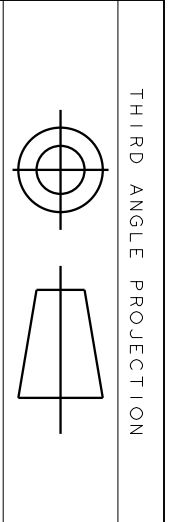
SIZE DRAWING A

SCALE: 0.250 REF. No.

52A106996

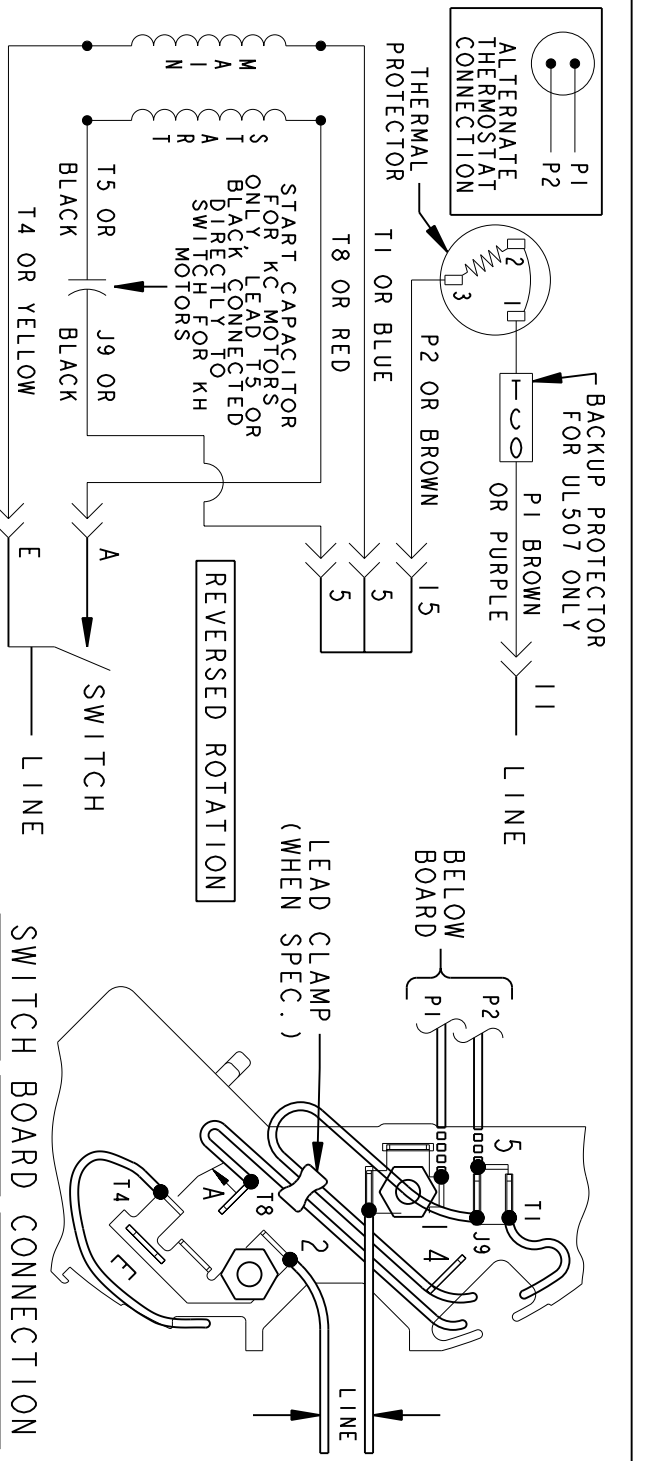
REV 3

SHEET 1 of 1



REV.	DESCRIPTION	DATE	APPROVED
6	UPDATED FORMAT	12/01/05	MAM

EITHER ROTATION-SINGLE VOLTAGE-TYPE KC OR KH-WITH THERMAL PROTECTOR



NOTE #1 - TO REVERSE ROTATION INTERCHANGE RED (T8) AND BLACK (J9-KC OR T5-KH) LEADS.
 NOTE #2 - WHEN MORE THAN ONE CAPACITOR IS USED CONNECT IN PARALLEL.

SWITCH (C) - 115D958AB REF. DIAG. - 121A851 CONN. LABEL - 52X332048

SIGNATURES	DATE
MODEL M.D.PAPE	06/29/87
DETAIL	
CHECKED	
ENGRG	
MFG	
QUALITY	
ISSUED	M.D.P. 03/08/00
SOLID MODEL: 52A105379AA	



REGAL-BELOIT CORPORATION

CONNECTION DIAGRAM

30 FR SWITCH REDESIGN

SCALE: 1.000	REF. No.:	SHEET 1 of 1
SIZE DRAWING A		REV 6